

DIGI-SERVO

- **8 Bit Microcontroller**
- **4.8 ~7.0 Volt Operation**
- **Digital Precision**
- **22Ga heavy wires**
- **Auto sweep**
- **Bright LEDs**

Operation:

Plug servo tester into any charge jack in side of your airplane or any 4.8~7.0 battery pack. (Un banned servo lead is power input)

Plug Color banded servo lead into servo or servos using a Y if needed.

Select operation Rate/Mode by selecting 1 of the 3 buttons (see wiring page for more detail)

You must select a Mode ea time you power up the Digi Servo.

Auto:

Press the "Center" button Auto sweep begins after a 3 second power up cycle and servos move to center.

*Sweep speed Is Slow and goes from 900ms ~ 2100ms (full servo sweep both directions)(See warnings on next page!)

*As servo goes right the RED led is on / the GREEN is on while the servo sweeps left

*Exit Auto mode Press Right / Enters manual mode FAST Rate (See FAST Rate)

(Right and Left operation vary by Brand and model of servo we used J/R is the design phase)

Slow Rate:

Sweep and hold any position.

Select RIGHT Button to began, Both LEDS power up during a 3 second delay while servos center.

While Left is held servo sweeps Left & Green LED is On

On release the led goes back out and servo stays in position.

While RIGHT is held servo sweeps RIGHT & RED LED is on.

On release the led goes back out and servo stays in position.

Return to center any time by pressing CENTER Both LEDS Light.

(Note that Unit stays in SLOW Mode until power is lost or powered down and restarted)

FAST Rate:

Sweep and hold any position.

Select LEFT Button to began, Both LEDS power up during a 3 second delay while servos center.

While Left is held servo sweeps Left & Green LED is On

On release the led goes back out and servo stays in position.

While RIGHT is held servo sweeps RIGHT & RED LED is on.

On release the led goes back out and servo stays in position.

Return to center any time by pressing CENTER Both LEDS Light.

(Note that Unit stays in Fast Mode until power is lost or powered down and restarted)

DIGI-SERVO

CAUTIONS

Over driving servos like the small ones HS-55/56 and others can be damaged very easy by over driving their position - sweep very slow until you know how far you can sweep in ea direction.

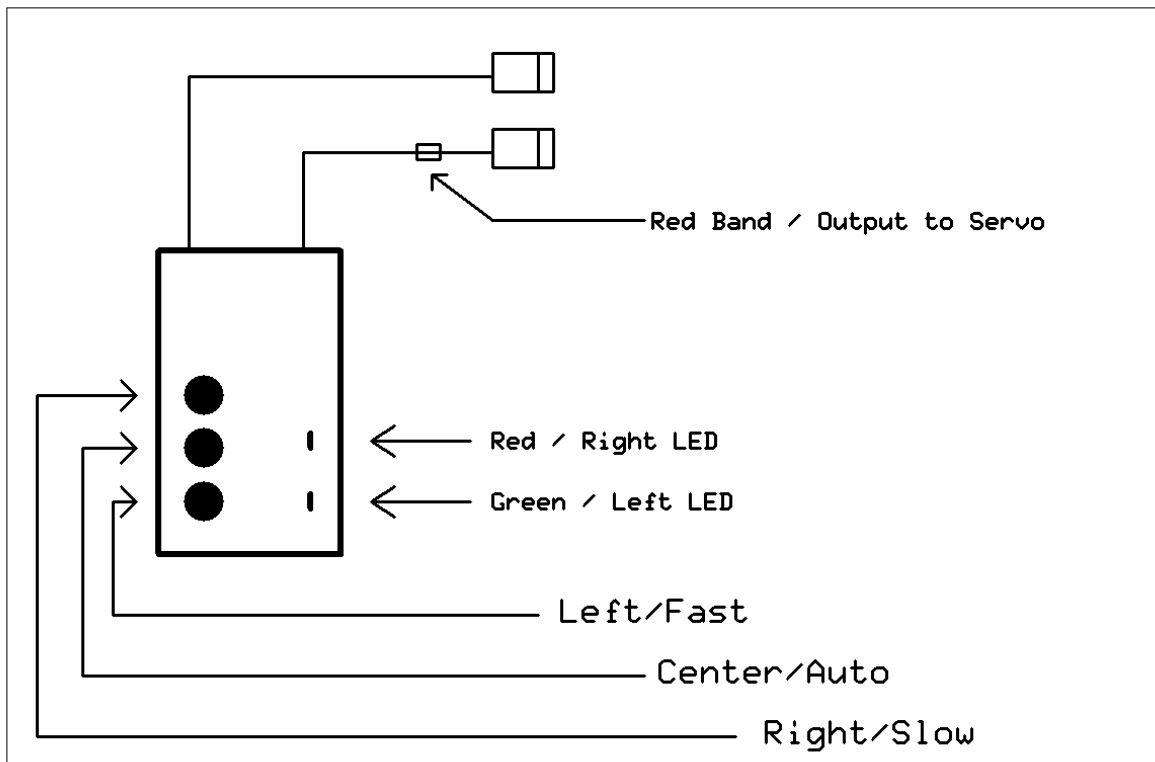
Servos vary by model and Brand we tested many brands and models in the design phase.

Speed and direction (right and left) also vary we used J/R as our test bed servo our Left and right are based on their operation and other brands and modes vary.

Super servos:

There are some very fast and powerful servos out there. Be careful when sweeping and testing.

Know where you need to STOP to not over run your control surfaces!



SUPPORT:

sales@42-Percent-products.com

PH 916-821-2635

